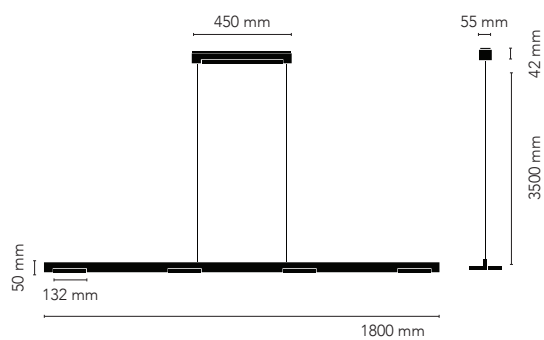
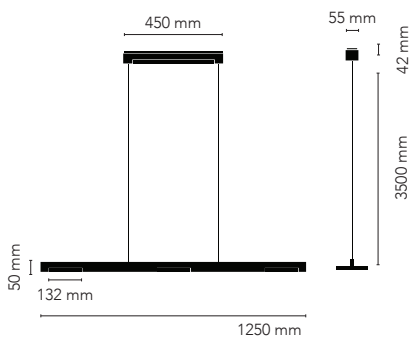


LIGHT·POINT

Design by  
STUDIO F·A·PORSCHE

## INLAY S LINEAR DISC

Design: Studio F. A. Porsche



INLAY S1250 LINEAR DISC

INLAY S1800 LINEAR DISC

# INLAY S LINEAR DISC - 2700-6500K

Design: Studio F. A. Porsche

LIGHT·POINT

Design by  
STUDIO F·A·PORSCHE

ART. NAME	INLAY S1250 LINEAR DISC	INLAY S1800 LINEAR DISC	
Art. no. matt black/ satin gold	900083	900093	-
Art. no. matt black/ satin silver	900082	900092	-
EAN matt black/ satin gold	5711389001605	5711389001629	-
EAN matt black/ satin silver	5711389001582	5711389001612	-
Material	Aluminium / Acrylic	Aluminium / Acrylic	-
Light source	LED	LED	-
Lifetime	50.000	50.000	-
Number of light sources	3	4	-
Electronical gear	N/A	N/A	-
Driver watt	N/A	N/A	-
Light source watt	8	8	-
System watt	24	32	-
Voltage	220-240	220-240	-
Dimmable	Yes	Yes	-
Lumen output	2640 (nominal)	3520 (nominal)	-
Lumen pr. watt	110	110	-
Flux	N/A	N/A	-
CCT (K)	2700-6500	2700-6500	-
RA/CRI	>90	>90	-
Mac Adam	3	3	-
Light distribution	Down	Down	-
Beam angle	N/A	N/A	-
Tilt angle	N/A	N/A	-
Cutout mm.	N/A	N/A	-
Rotation	N/A	N/A	-
Looping	N/A	N/A	-